



# PRECISION HIGH-SPEED PRESS MACHINE



AMAX SYSTEMS COMPANY LIMITED

601 Siyuan Rd., Xinzhuang Disct., New Taipei City, Taiwan

Tel: +886 2 8521 6408

Email: [sales@amax-systems.com](mailto:sales@amax-systems.com)





### Quality Insurance

The entire production flow in compliance with ISO9001:2008 quality management system requirements. We have nearly hundred kind of precision measuring instruments such as Japan made B.D.C accuracy monitoring instrument, Switzerland made 2D detector, Hexagon explorer and laser geometrical measurement instruments, accurately measure each component of presses assured its perfection and JIS super grade of accuracy. In addition, we have set up an exclusive supply chain management system with keeps track of moving our product and service from supplier to customer.

### Powerful Precision Processing Equipment

Our employees are well trained and highly experienced. Each new staff will be instructed by skilled senior on one-to-one training to build up professional skills. Meanwhile, we also offer training course for employee periodically of learning new technology.

### Higher Accuracy

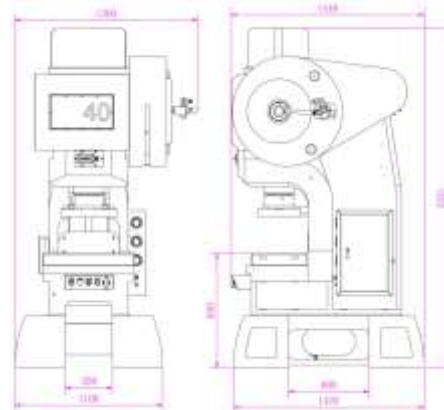
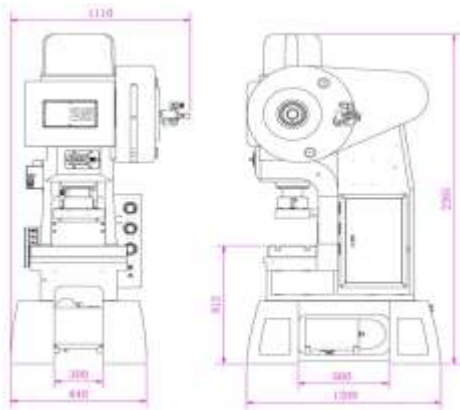
We have invested manufacturing equipment immensely that will be more impressively precise and consistently perfected presses offer to our customers.

Good Tools make for Top-class Parts

We are one of the leading manufactures posses massive advanced machining equipment, including gantry machining, vertical machining and CNC machining.

## M-SERIES – C FRAME PRECISION HIGH-SPEED PRESS

**M-25**

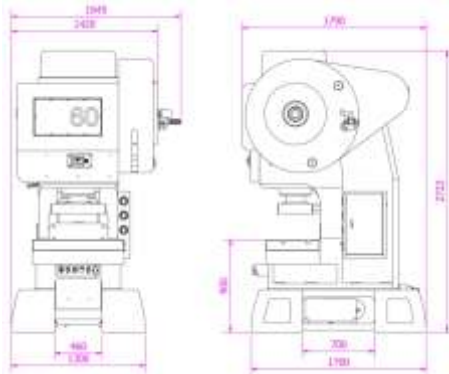
**M-40**


Model	M-25				M-40		
Capacity	25 tons				40 tons		
Stroke of slide (mm)	20	25	30	35	20	30	40
S.P.M	200-900	200-850	200-800	200-750	200-800	200-700	200-600
Die-Height (mm)	185-215	182-212	180-210	178-208	215-245	210-240	205-235
Bolster (mm)	600*300*80				680*420*90		
Area of Slide (mm)	320*220				420*320		
Slide Adjustment	30mm				30mm		
Bed Opening (mm)	(400) 300*100				(500) 400*100		
Motor	5HP				7.5HP		
Gross Weight	2.9 tons				4.9 tons		
Lubrication	Automatic Lubrication				Automatic Lubrication		
Speed Control	Inverter				Inverter		
Clutch and Brake	Air & Friction				Air & Friction		
Auto Top Stop	T.D.C				T.D.C		
Shock Absorber	Pneumatic				Pneumatic		

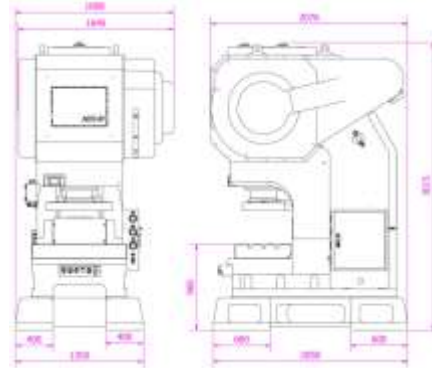


## M-SERIES – C FRAME PRECISION HIGH-SPEED PRESS

**M-60**



**MHS-80**



Model	M-60				M-80				
Capacity	60 tons				80 tons				
Stroke of slide (mm)	25	30	40	50	20	30	40	50	60
S.P.M	200-700	200-650	200-550	200-450	200-600	200-500	200-400	200-300	200-300
Die-Height (mm)	208-258	205-255	200-250	195-245	320-370	315-365	310-360	305-355	300-350
Bolster (mm)	890*520*110				1000*600*150				
Area of Slide (mm)	540*340				700*450				
Slide Adjustment	50mm				50mm				
Bed Opening (mm)	(560) 460*100				(700) 550*170				
Motor	15HP				30HP				
Gross Weight	8 tons				14 tons				
Lubrication	Automatic Lubrication				Automatic Lubrication				
Speed Control	Inverter				Inverter				
Clutch and Brake	Air & Friction				Air & Friction				
Auto Top Stop	T.D.C				T.D.C				
Shock Absorber	Spring Damper				Spring Damper				

# M-SERIES – C FRAME PRECISION HIGH-SPEED PRESS

## Standard Accessories

Accessories	Standard
Inverter	●
Die height indicator	●
Manual die height adjustment (M-25, M40)	●
Electronic die height adjustment (M-60, MHS-80)	●
Die height accuracy 0.01mm	●
Micro inching positioning	●
Dynamic balancer	●
Hydraulic slide locking device	●
Electronic control box	●
Circulation lubrication device	●
Clutch & Brake	●

Accessories	Standard
Electronic rotary cam switch (applicable only for M-60 & MHS-80)	●
Shock absorber (height: pneumatic 120mm, mounting 220mm)	●
Main motor FWD, REV, changeover device	●
Misfeed detector	●
Electric stroke counter	●
Air Ejector	●
Power socket	●
Air source connector	●
Work light	●
Tool box	●
Operation manual	●

## Proven and Tested Quality



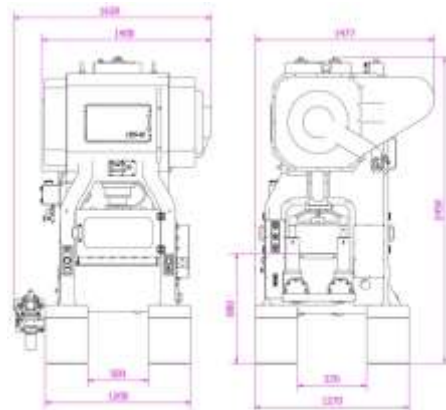
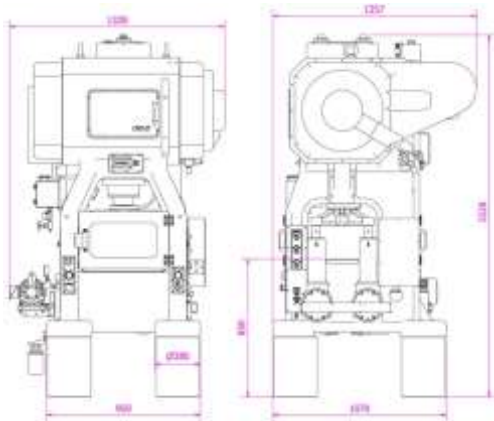
# CHS-SERIES – GANTRY SINGLE CRANK PRECISION HIGH-SPEED PRESS



**CHS-25**



**CHS-40**



Model	CHS-25			CHS-40		
Capacity	25 tons			40 tons		
Stroke of slide (mm)	20	25	30	20	30	40
S.P.M	200-900	200-850	200-800	200-800	200-700	200-600
Die-Height (mm)	185-215	182-212	180-210	215-245	210-240	205-235
Bolster (mm)	500*400*80			650*500*90		
Area of Slide (mm)	450*350			600*400		
Slide Adjustment	30mm			30mm		
Bed Opening (mm)	400*100			(500) 400*100		
Motor	5HP			7.5HP		
Gross Weight	3 tons			4.9 tons		
Lubrication	Automatic Lubrication			Automatic Lubrication		
Speed Control	Inverter			Inverter		
Clutch and Brake	Air & Friction			Air & Friction		
Auto Top Stop	T.D.C			T.D.C		
Shock Absorber	Pneumatic or Spring Damper			Pneumatic or Spring Damper		

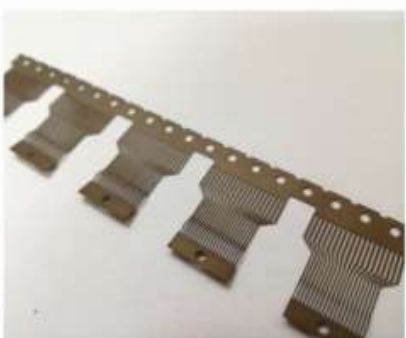
# CHS-SERIES – GANTRY SINGLE CRANK PRECISION HIGH-SPEED PRESS

## Standard Accessories

Accessories	Standard
Inverter	•
Die height indicator	•
Manual die height adjustment (M-25, M40)	•
Die height accuracy 0.01mm	•
Micro inching positioning	•
Dynamic balancer	•
Hydraulic slide locking device	•
Electronic control box	•
Circulation lubrication device	•
Clutch & Brake	•
Electronic rotary cam switch	•

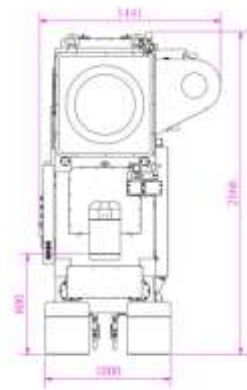
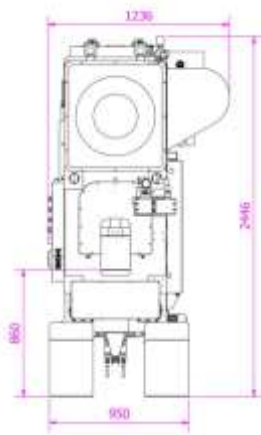
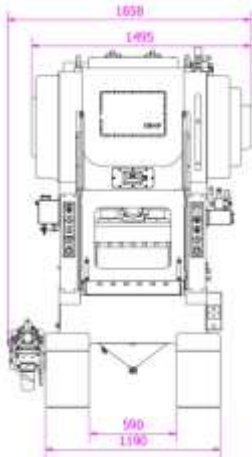
Accessories	Standard
Safety door (front & back sound insulation)	•
Shock absorber (height: pneumatic 120mm, mounting 220mm)	•
Main motor FWD, REV, changeover device	•
Misfeed detector	•
Electric stroke counter	•
Air Ejector	•
Power socket	•
Air source connector	•
Work light	•
Tool box	•
Operation manual	•

## Proven and Tested Quality



## CHD-SERIES – GANTRY DOUBLE CRANK PRECISION HIGH-SPEED PRESS

**CHD-30**

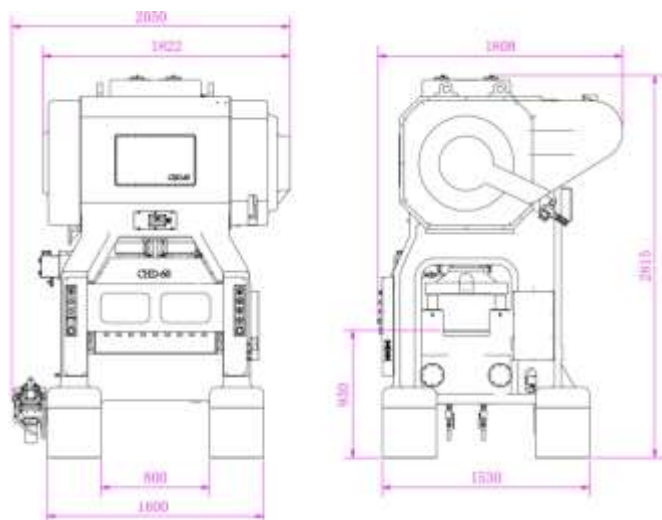
**CHD-45**


Model	CHD-30				CHD-45			
Capacity	30 tons				45 tons			
Stroke of slide (mm)	20	25	30	40	20	25	30	40
S.P.M	200-1000	200-900	200-800	200-700	200-900	200-800	200-700	200-600
Die-Height (mm)	195-235	192-232	190-230	185-225	230-280	227-277	225-275	220-270
Bolster (mm)	650*470*100				800*550*120			
Area of Slide (mm)	620*340				750*380			
Slide Adjustment	40mm				50mm			
Bed Opening (mm)	500*100				(650) 550*120			
Motor	10HP				15HP			
Gross Weight	5.2 tons				8.5 tons			
Lubrication	Automatic Lubrication				Automatic Lubrication			
Speed Control	Inverter				Inverter			
Clutch and Brake	Air & Friction				Air & Friction			
Auto Top Stop	T.D.C				T.D.C			
Shock Absorber	Pneumatic or Spring Damper				Pneumatic or Spring Damper			



# CHD-SERIES – GANTRY DOUBLE CRANK PRECISION HIGH-SPEED PRESS

## CHD-60



## Technical Parameters

Model		CHD-60			
Capacity	Ton	60			
Stroke	mm	20	30	40	50
Speed	S.P.M	200-700	200-600	200-500	200-400
Die-Height	mm	235-285	230-280	225-275	220-270
Bolster Area	mm	900*620*160			
Slide Area	mm	900*460			
Slide Adjustment	mm	50			
Bed Opening	mm	(750) 600*125			
Window width (Left & Right)	mm	340			
Main Motor	HPxP	20/15			
Gross Weight	Ton	10.5			
Lubrication		Automatic Lubrication			
Speed Control		Inverter			
Clutch & Brake		Air & Friction			
Auto Top Stop		T.D.C			
Shock Absorber		Mounting			

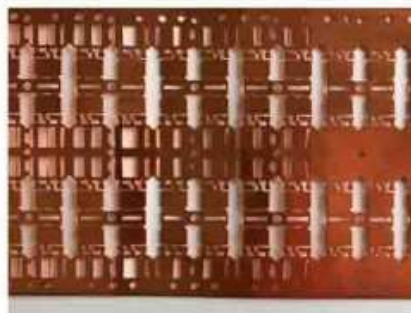
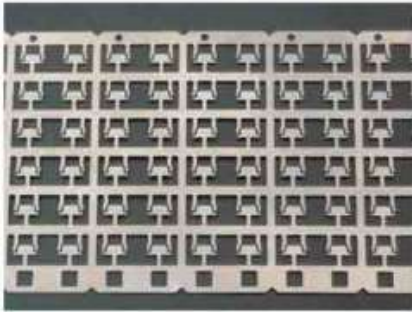
## Standard Accessories

Accessories	Standard
Inverter	●
Die height indicator	●
Manual die height adjustment (M-25, M40)	●
Die height accuracy 0.01mm	●
Micro inching positioning	●
Dynamic balancer	●
Hydraulic slide locking device	●
Electronic control box	●
Circulation lubrication device	●
Clutch & Brake	●
Electronic rotary cam switch	●

Accessories	Standard
Safety door (front & back sound insulation)	●
Shock absorber (height: pneumatic 120mm, mounting 220mm)	●
Main motor FWD, REV, changeover device	●
Misfeed detector	●
Electric stroke counter	●
Air Ejector	●
Power socket	●
Air source connector	●
Work light	●
Tool box	●
Operation manual	●

# CHD-SERIES – GANTRY DOUBLE CRANK PRECISION HIGH-SPEED PRESS

## Proven and Tested Quality



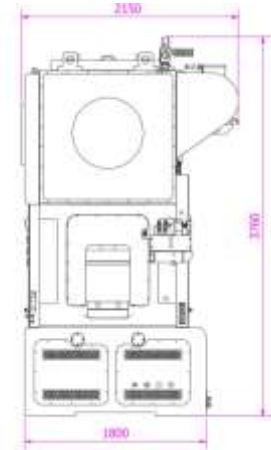
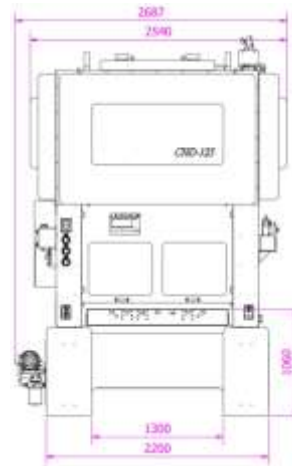
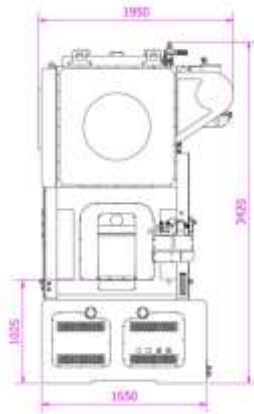
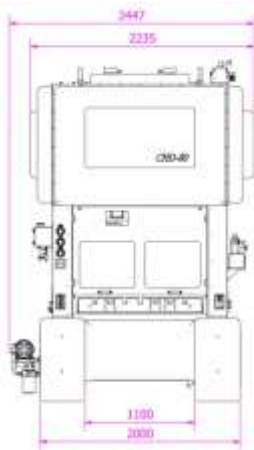
## CHD-SERIES – GANTRY DOUBLE CRANK PRECISION HIGH-SPEED PRESS



**CHD-80**



**CHD-125**



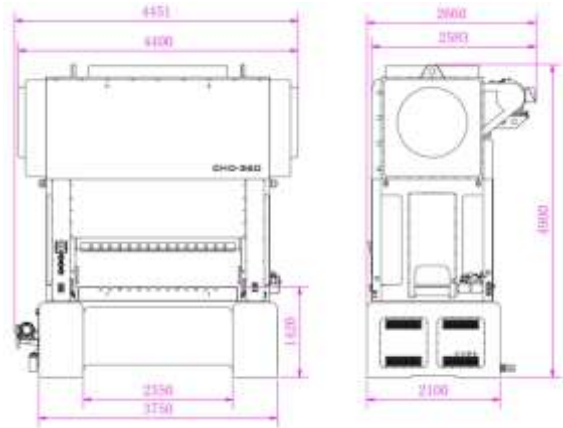
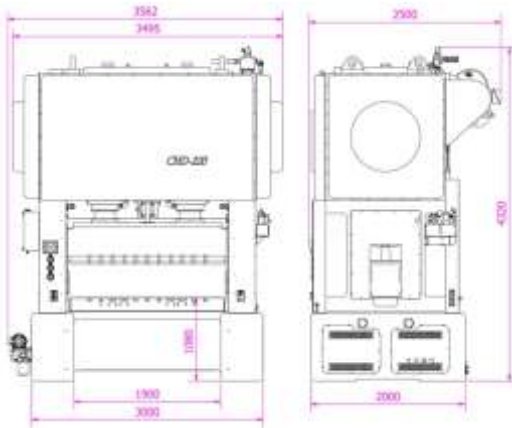
Model	CHD-80				CHD-125			
Capacity	80 tons				125 tons			
Stroke of slide (mm)	20	30	40	50	20	30	40	50
S.P.M	200-600	200-535	200-465	200-400	200-550	200-500	200-450	200-400
Die-Height (mm)	405-455	400-450	395-445	390-440	405-455	400-450	395-445	390-440
Bolster (mm)	1250*750*140				1400*850*160			
Area of Slide (mm)	1250*500				1400*600			
Slide Adjustment	50mm				50mm			
Bed Opening (mm)	900*130				1200*200			
Motor	30HP				40HP			
Gross Weight	18.5 tons				26 tons			
Lubrication	Automatic Lubrication				Automatic Lubrication			
Speed Control	Inverter				Inverter			
Clutch and Brake	Air & Friction				Air & Friction			
Auto Top Stop	T.D.C				T.D.C			
Shock Absorber	Spring Damper				Spring Damper			

# CHD-SERIES – GANTRY DOUBLE CRANK PRECISION HIGH-SPEED PRESS

**CHD-220**



**CHD-360**



Model	CHD-220				CHD-360				
Capacity	220 tons				360 tons				
Stroke of slide (mm)	20	30	40	50	20	30	40	50	60
S.P.M	150-450	150-400	150-350	150-300	100-400	100-350	100-300	100-250	100-200
Die-Height (mm)	405-455	400-450	395-445	390-440	465-525	460-520	455-515	450-510	450-505
Bolster (mm)	2000*950*180				2500*1200*220				
Area of Slide (mm)	2000*700				2500*900				
Slide Adjustment	50mm				60mm				
Bed Opening (mm)	1700*260				(2100) 1800*300				
Motor	50HP				75HP				
Gross Weight	48 tons				76.5 tons				
Lubrication	Automatic Lubrication				Automatic Lubrication				
Speed Control	Inverter				Inverter				
Clutch and Brake	Air & Friction				Air & Friction				
Auto Top Stop	T.D.C				T.D.C				
Shock Absorber	Spring Damper				Spring Damper				



# CHD-SERIES – GANTRY DOUBLE CRANK PRECISION HIGH-SPEED PRESS

## Standard Accessories

Accessories	Standard
Inverter	•
Die height indicator	•
Electric die height adjustment	•
Die height accuracy 0.01mm	•
Micro inching positioning	•
Dynamic balancer	•
Hydraulic slide locking device	•
Electronic control box	•
T-mobile station	•
Circulation lubrication device	•
Clutch & Brake	•
Oil cooler	•
Electronic rotary cam switch	•
Safety door (front & back sound insulation)	•

Accessories	Standard
Shock absorber (height: mounting 220mm)	•
Crankshaft angle indicator	•
Main motor FWD, REV, changeover device	•
Misfeed detector	•
Electric stroke counter	•
Power socket	•
Air source connector	•
Work light	•
Tool box	•
Operation manual	•
Accessories	Optional
Die Arm	•
Die Lifter	•
RAM controller	•

F

## Proven and Tested Quality



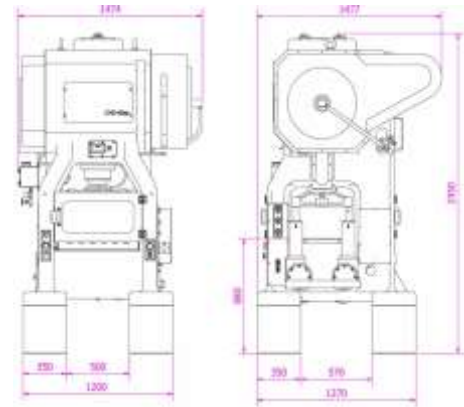
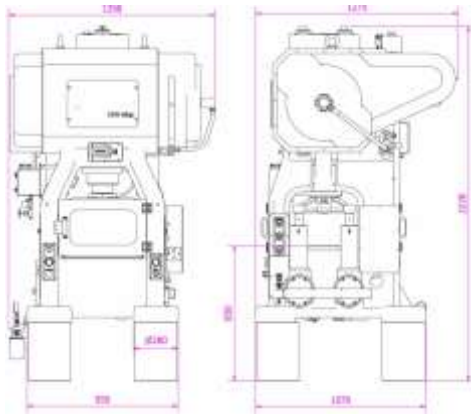
## SP-SERIES – GANTRY SINGLE/DOUBLE PRECISION HIGH-SPEED PRESS



**CHS-25SP**



**CHS-40SP**



Model	CHS-25sp			CHS-40sp		
Capacity	25 tons			40 tons		
Stroke of slide (mm)	20	25	30	20	30	40
S.P.M	200-700	200-700	200-700	200-600	200-600	200-600
Die-Height (mm)	185-215	182-212	180-210	215-245	210-240	205-235
Bolster (mm)	500*400*80			650*500*90		
Area of Slide (mm)	450*350			600*400		
Slide Adjustment	30mm			30mm		
Bed Opening (mm)	400*100			(500) 400*100		
Motor	7.5HP x 4			10HP x 4		
Gross Weight	2.9 tons			4.8 tons		
Lubrication	Thermostat oil cooler			Thermostat oil cooler		
Speed Control	Inverter			Inverter		
Clutch and Brake	Air & Friction			Air & Friction		
Auto Top Stop	T.D.C			T.D.C		
Shock Absorber	Pneumatic			Pneumatic		

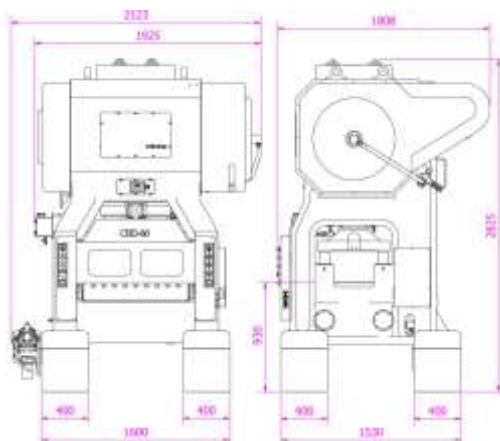
## SP-SERIES – GANTRY SINGLE/DOUBLE PRECISION HIGH-SPEED PRESS



**CHD-60SP**

### Technical Parameters

Model		CHD-60sp			
Capacity	Ton	60			
Stroke	mm	20	30	40	50
Speed	S.P.M	150-500	150-500	150-500	150-400
Die-Height	mm	230-285	230-280	225-275	220-270
Bolster Area	mm	900*620*160			
Slide Area	mm	800*460			
Slide Adjustment	mm	50			
Bed Opening	mm	(750) 600*125			
Window width (Left & Right)	mm	340			
Main Motor	HPxP	20 x 4			
	kWxP	15 x 4			
Gross Weight	Ton	10.5			
Lubrication		Automatic Lubrication (Thermostat oil cooler)			
Speed Control		Inverter			
Clutch & Brake		Air Friction			
Auto Top Stop		T.D.C			
Shock Absorber		Mounting			



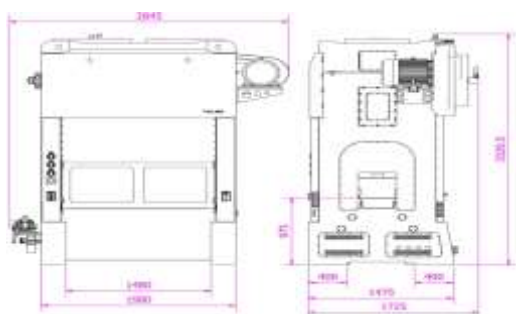
### Standard Accessories

Accessories	Standard
Inverter	●
Die height indicator	●
Manual die height adjustment (CHS-25SP, CHS-40SP)	●
Electric die height adjustment (applicable only for CHD-60SP)	●
Die height accuracy 0.01mm	●
Micro inching positioning	●
Dynamic balancer	●
Hydraulic slide locking device	●
ECB with Programmable logic controller	●
Circulation lubrication device	●
Clutch & Brake	●
Thermostat oil cooler (applicable only for SP series)	●

Accessories	Standard
Electronic rotary cam switch	●
Safety door (front & back sound insulation)	●
Shock absorber (height: pneumatic 120mm, mounting 220mm)	●
Main motor FWD, REV, changeover device	●
Misfeed detector	●
Electric stroke counter	●
Air Ejector	●
Power socket	●
Air source connector	●
Work light	●
Tool box	●
Operation manual	●

# THL-SERIES – GANTRY DOUBLE CRANK PRECISION HIGH-SPEED PRESS

## THL-80



## Technical Parameters

Model		THL-80		
Capacity	Ton	80		
Stroke	mm	20	25	30
Speed	S.P.M	200-500	200-500	200-500
Die-Height	mm	220-250	220-250	220-250
Bolster Area	mm	1500*750*150		
Slide Area	mm	1500*500		
Slide Adjustment	mm	30		
Bed Opening	mm	(1380) 1200*130		
Window width (Left & Right)	mm	384		
Main Motor	HP/kW	30 / 22		
Gross Weight	Ton	22.5		
Lubrication		Automatic Lubrication		
Speed Control		Inverter		
Clutch & Brake		Air & Friction		
Auto Top Stop		T.D.C		
Shock Absorber		Mounting		

## Standard Accessories

Accessories	Standard
Inverter	●
Die height indicator	●
Electric die height adjustment	●
Die height accuracy 0.005mm	●
Micro inching positioning	●
Dynamic balancer	●
Electronic control box	●
T-mobile station	●
Circulation lubrication device	●
Clutch & Brake	●
Thermostat oil cooler (applicable only for THL series)	●
Electronic rotary cam switch	●
Safety door (front & back sound insulation)	●

Accessories	Standard
Shock absorber (height: mounting 220mm)	●
Crankshaft angle indicator	●
Main motor FWD, REV, changeover device	●
Misfeed detector	●
Electric stroke counter	●
Power socket	●
Air source connector	●
Work light	●
Tool box	●
Operation manual	●
Accessories	Optional
Die Arm	●
Die Lifter	●
RAM controller	●